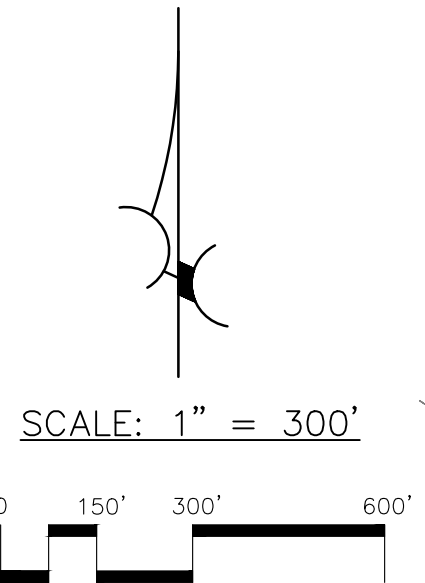
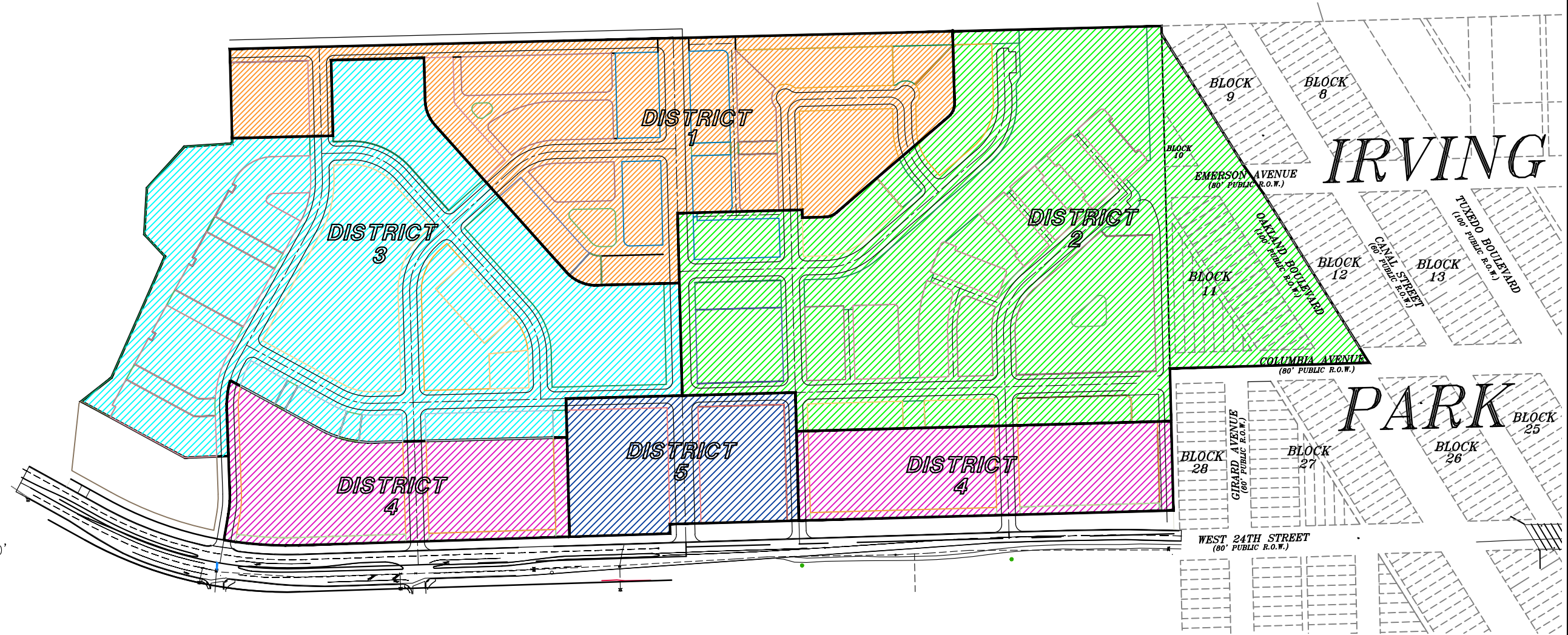


PIKES PEAK PARK METROPOLITAN DISTRICT NO's 1-5



LEGEND

- = DISTRICT BOUNDARY
- = DISTRICT 1 (15.54 ACRES)
- = DISTRICT 2 (27.20 ACRES)
- = DISTRICT 3 (21.15 ACRES)
- = DISTRICT 4 (10.89 ACRES)
- = DISTRICT 5 (4.63 ACRES)

NORTHSTAR
ENGINEERING AND SURVEYING, INC.

111 E. 5TH ST. PUEBLO, CO 81003 (719)544-6823 (719)544-6825 FAX

PIKES PEAK PARK METROPOLITAN DISTRICT NO's. 1-5
DISTRICTS MAP

TITLE:	DRAWN BY: DJA	FILE: PPFMD_DISTRICTS_MAP.DWG
SCALE: 1"=300'	CHECKED BY: MLC	JOB NO. 2001400
DATE: 11-28-2022		SHEET 1 OF 1